

**Contents:**

Lock Assembly, 2 keys  
1/4-20 One-Way Screw  
1/4-20 Hex Head Bolt  
Large Washer  
Instructions, Warranty Card

**Tools Required:**

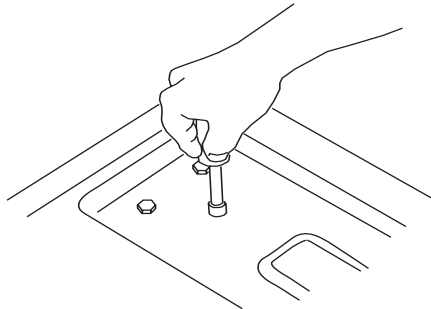
11 and 13 MM Sockets

**Tech Support:**

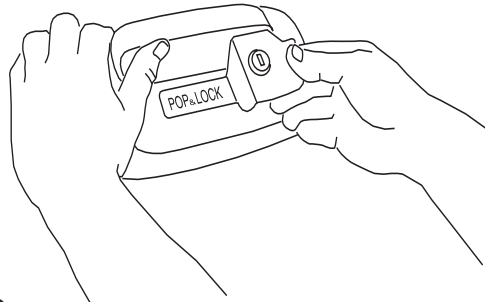
Call 1-800-342-5911

NOTE: POP&LOCK is designed to secure the passenger side latch. You may experience that the drive side latch can open due to the flex in the handle, but the tailgate will still remain locked.

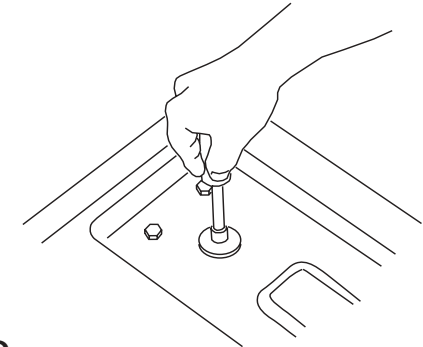
# POP & LOCK<sup>®</sup>



- 1.**  
Lower the tailgate. Remove the center 13 MM bolt and loosen the other two.



- 2.**  
Insert the POP&LOCK aligning the threaded clip with the center bolt hole.



- 3.**  
Insert the 1/4-20 Hex Head bolt into the POP&LOCK and tighten. Push the handle all the way up and tighten the two mounting screws.

Install the One-Way screw in place of the Hex Head bolt for added security.