

Contents:

Lock Assembly, 2 keys, Instructions, Warranty Card.

Tools Required:

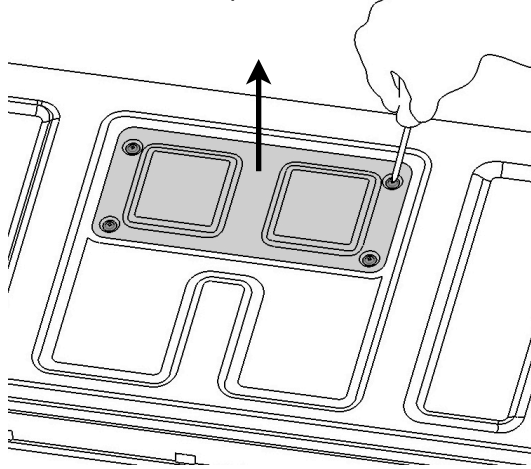
Philips screwdriver, Ratchet,
10 mm Socket, Ratchet extension.

Technical Support:

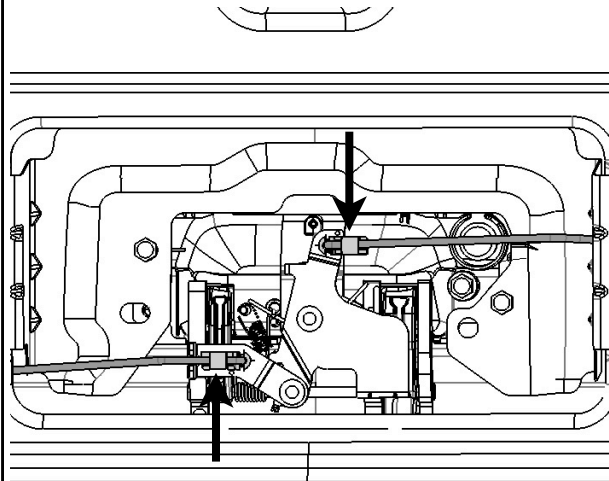
Call 1-800-342-5911

customerservice@popandlock.net

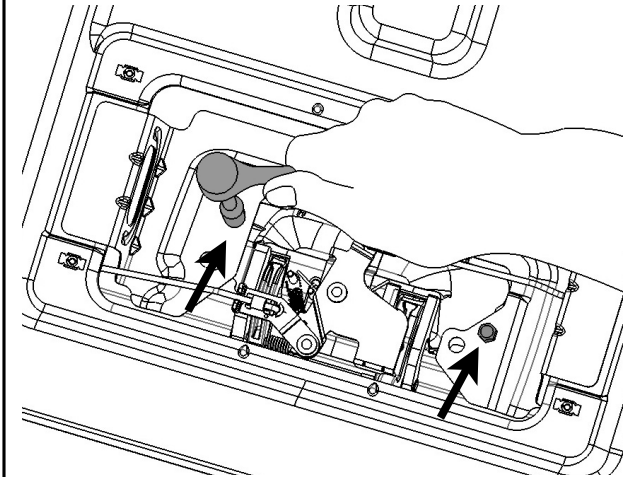
1 Open the tailgate and if applicable, remove the tailgate bed-liner. Using a philips screwdriver, remove the screws holding the access panel. Remove the access panel and set aside.



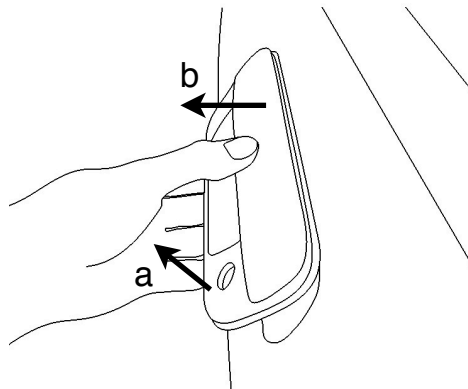
2 Carefully detach the two latch rods from the plastic clips and move aside.



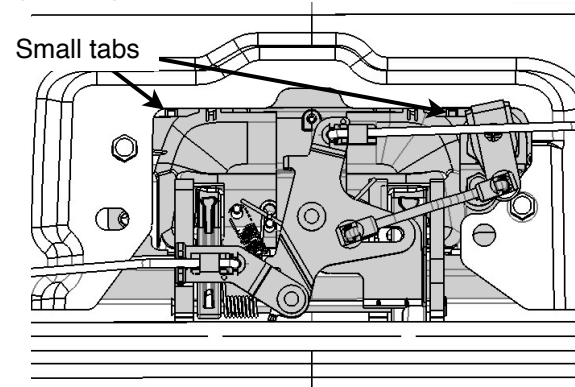
3 Remove the two 6 mm bolts from inside of the tailgate to free the handle assembly.



4 Lift the tailgate into the up position but do not fully engage in the latches. While supporting the tailgate with one hand, pull the bottom of the handle out first (a), then carefully pull out the handle assembly from the top (b).



5 Install the Pop & Lock assembly into the tailgate following Steps 2, 3 & 4 in reverse order while making sure that it is in the lock position as seen in picture below. Make sure that the bottom small tabs snap onto the tailgate before tightening the 6 mm bolts.



6 Using the supplied key, test the lock by locking and unlocking the tailgate.

7 Re-install the access panel and bed-liner if applicable.

- The installation is now complete -

Thank you for purchasing a Pop & Lock Product!